

BLOCK AND CIRCUIT DIAGRAMS

Section 3

CONTENTS - Section 3**PAGE**

1	Introduction.....	4
---	-------------------	---

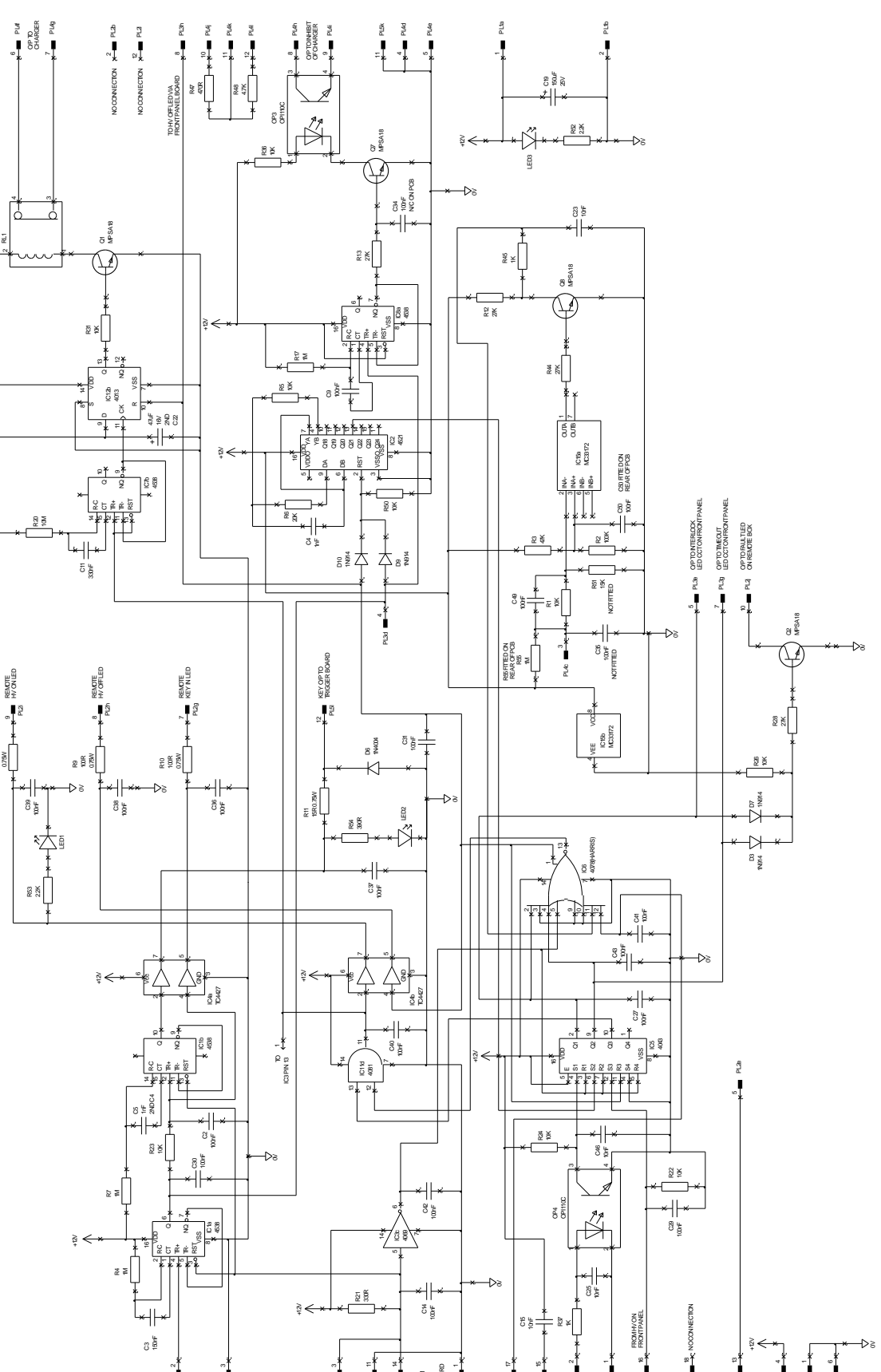
DRAWINGS**PAGE**

1	CSP-1000-5000/1	CSP Control Brd Schematic 1 of 2	5
2	CSP-1000-5000/1	CSP Control Brd Schematic 2 of 2	6
3	CSP-1000-5002/C	CSP Relay Brd Schematic	7
4	CSP-1000-5003/C	CSP Key In Brd Schematic	8
5	CSP-1000-5005/C	CSP AVIP Brd Schematic	9
6	CSP-1000-5117/A	CSP Interface Brd Schematic	10
7	CSP-CSPD-5100/2	CSPD Front Panel Brd Schematic	11
8	CSP-CSPD-5101/1	CSPD HV Detect Brd Schematic	12
9	CSP-CSPD-5102/3	CSPD HV Monitor Brd Schematic	13
10	CSP-CSPD-1000/1	CSPD Component Support Plate	14
11	CSP-CSPD-1003/1	CSPD Mains Supply Wiring	15
12	CSP-CSPD-1002/1	CSPD 12V DC Wiring	16
13	CSP-CSPD-4021/A	CSPD Control Wiring	17
14	CSP-CSPD-4010/2	CSPD HV Wiring	18
15	CSP-CSPD-1001/1	CSPD Capacitor Arrangement	19
16	CSP-CSPD-1019/2	CSPD Thyristor Assembly	20
17	CSP-CSPD-1011/1	CSP High Voltage Plug Assembly	21
18	CSP-CSPD-1012/1	CSP High Voltage Plug Component Assembly	22
19	CSP-CSPD-3002/1	CSP Junction Box HV Cable	23
20	CSP-CSPD-4022/1	Remote Box Wiring	24
21	CSP-1000-4007/C	Remote Cable Wiring	25

INTRODUCTION TO SECTION 3

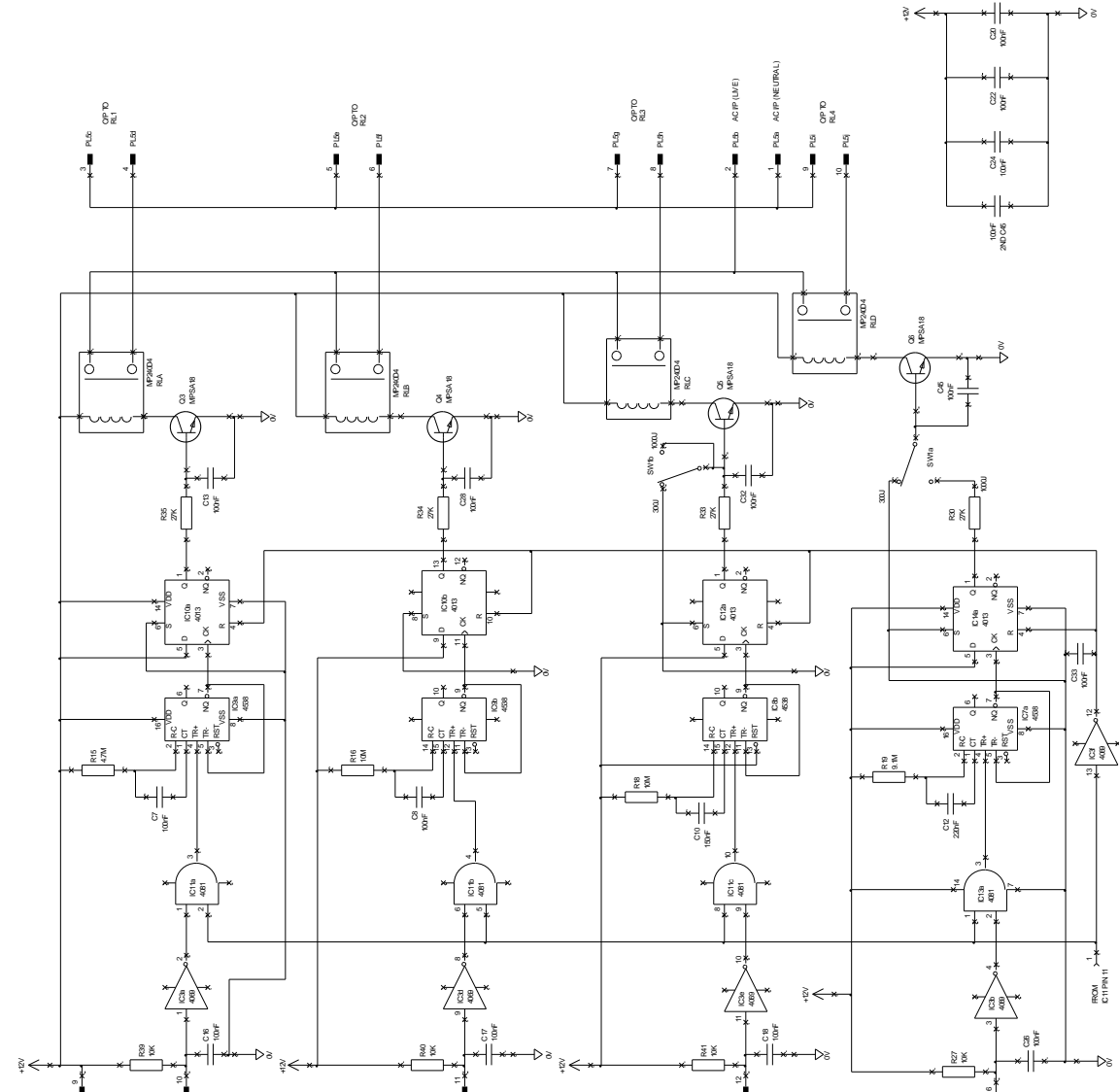
Section 3 contains schematics only. For circuit descriptions refer to Section 2.

© APPLIED ACOUSTIC ENGINEERING LTD.
 ALL DIMENSIONS IN MILLIMETERS UNLESS OTHERWISE SPECIFIED.
 THIS DRAWING IS THE PROPERTY OF APPLIED ACOUSTIC ENGINEERING LTD.
 AND IS NOT TO BE REPRODUCED, COPIED OR OTHERWISE
 TRANSMITTED IN ANY FORM OR BY ANY MEANS, WITHOUT THE
 WRITTEN PERMISSION OF APPLIED ACOUSTIC ENGINEERING LTD.
 IN PARTICULAR, IT IS NOT TO BE REPRODUCED OR TRANSMITTED
 IN ANY FORM OR BY ANY MEANS, WITHOUT THE WRITTEN
 PERMISSION OF APPLIED ACOUSTIC ENGINEERING LTD.



ISSUE	DESCRIPTION	APPROVED	DATE	ALL DIMS IN mm	NOT TO SCALE	APPLIED ACOUSTIC ENGINEERING LTD.		DRAWN	TDA	DATE	TITLE
1	DCR 342 - C9 VALUE CHANGE	APD	3/07	MATERIAL				CHECKED	IRK	09/03/07	CSP1000 CONTROL BOARD CIRCUIT DIAGRAM SHEET 1 OF 2
C	REDRAW REMOVING ERRORS	APD	5/02	FILE NAME	CSP-1000-5000-1_Control Board Schematic Sheet 1			APPROVED	APD	09/03/07	DRAWING No. CSP-1000-5000/1

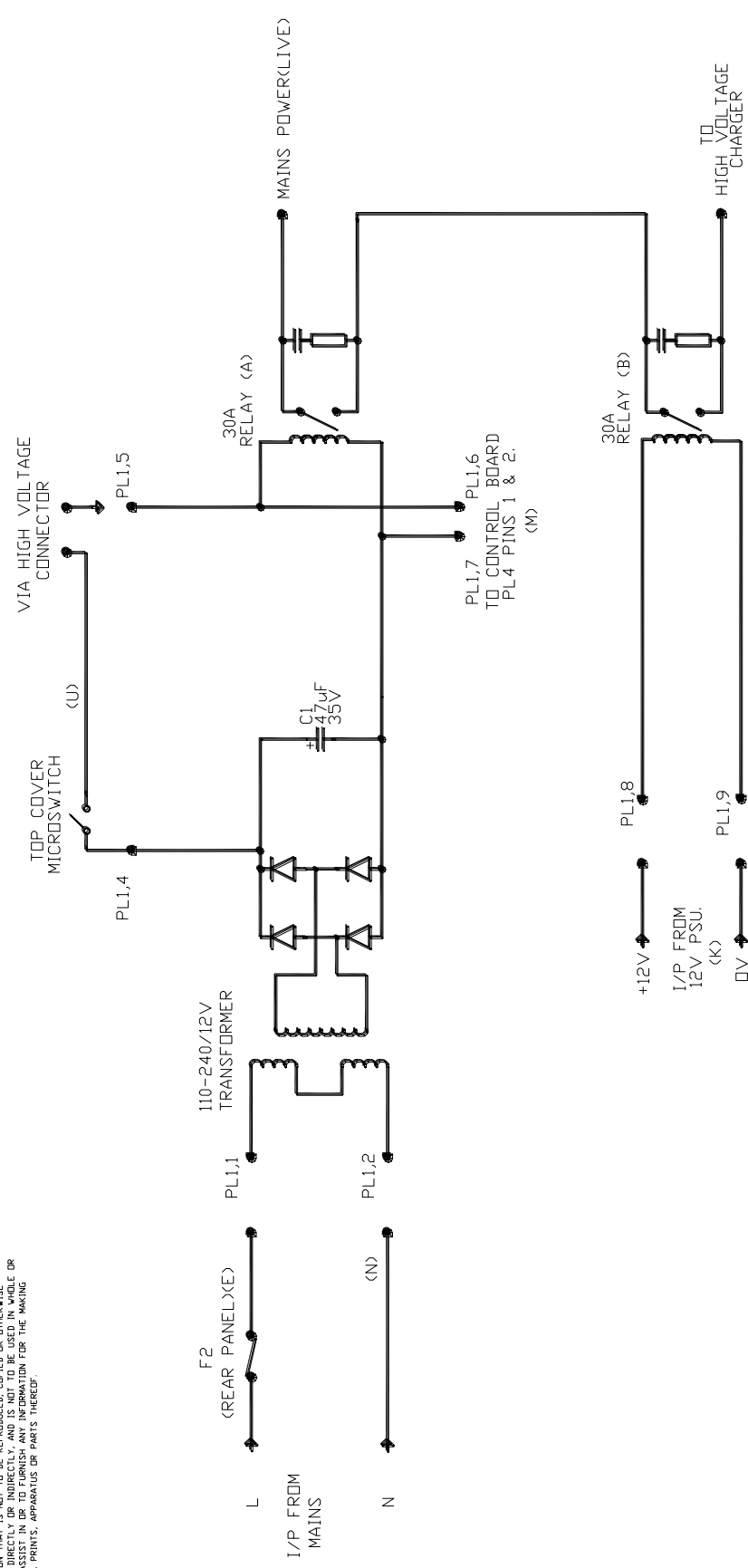
© APPLIED ACOUSTIC ENGINEERING LTD.
 THE DRAWING IS LOANED WITHOUT OTHER CONSIDERATION THAN THE AGREEMENT
 AND CONDITION THAT IS NOT TO BE REPRODUCED OR TO BE OTHERWISE
 IN PART OR IN WHOLE FOR THE PURPOSES OF ANY RESEARCH OR
 COMMERCIAL ENTERPRISE WITHOUT THE WRITTEN PERMISSION OF APPLIED ACOUSTIC
 ENGINEERING LTD.



ISSUE	DESCRIPTION	APPROVED	DATE	ALL DIMS IN mm	NOT TO SCALE	APPLIED ACOUSTIC ENGINEERING LTD.		DRAWN	TDA	DATE	TITLE
1	DCR 342 - CS VALUE CHANGE	APD	3/07					CHECKED	IRK	09/03/07	CSP1000 CONTROL BOARD CIRCUIT DIAGRAM SHEET 2 OF 2
C	REBROW REINOVING ERRORS	APD	5/02					APPROVED	APD	09/03/07	DRAWING No. CSP-1000-5000/1

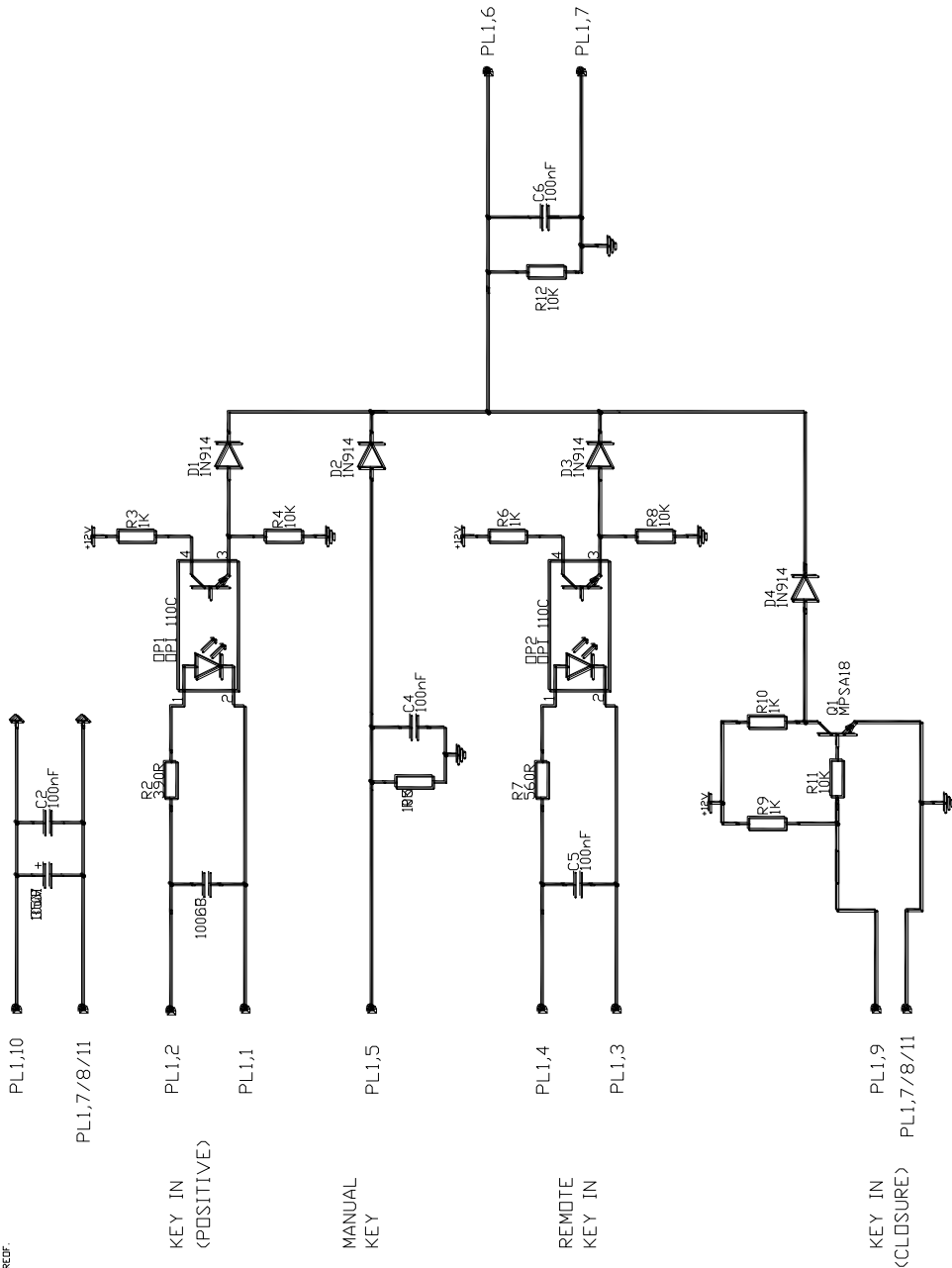
APPLIED ACUSTIC ENGINEERING LTD. CONSIDERATION THAN THE AGREEMENT IS BLINDLY TO BE REPRODUCED OR OTHERWISE DISPOSED OF DIRECTLY OR INDIRECTLY, AND IS NOT TO BE USED IN WHOLE OR IN PART TO ASSIST IN OR TO FURNISH ANY INFORMATION FOR THE MAKING OF DRAWINGS, PRINTS, APPARATUS OR PARTS THEREOF.

(CONNECTOR INTERLOCK PINS)



ISSUE	DESCRIPTION	APPD.	DATE	ALL DIMS IN mm	NOT TO SCALE	APPLIED ACUSTIC ENGINEERING LTD.	DRAWN MG	DATE 15/05/02	TITLE
				MATERIAL			CHECKED IRK	DATE 15/05/02	CSP1000 RELAY BOARD SCHEMATIC
C	NEW DRAWING No.		15/05/02	FILE NAME RELAY_BOARD.SCH			APPROVED JME	DATE 15/05/02	DRAWING No. CSP-1000-5002/C

APPLIED ACOUSTIC ENGINEERING LTD.
 THIS DRAWING IS LOANED WITHOUT OTHER CONSIDERATION THAN THE AGREEMENT
 AND CONDITION THAT IS NOT TO BE REPRODUCED, COPIED OR OTHERWISE
 DISPOSED OF DIRECTLY OR INDIRECTLY, AND IS NOT TO BE USED IN WHOLE OR
 IN PART FOR THE DESIGN OR CONSTRUCTION OF ANY APPARATUS OR PARTS THEREOF.
 OF DRAWINGS, PRINTS, APPARATUS OR PARTS THEREOF.



PL1,10

PL1,7/8/11

PL1,2

PL1,1

PL1,5

PL1,4

PL1,3

PL1,9

PL1,7/8/11

PL1,6

PL1,7

KEY IN
(POSITIVE)

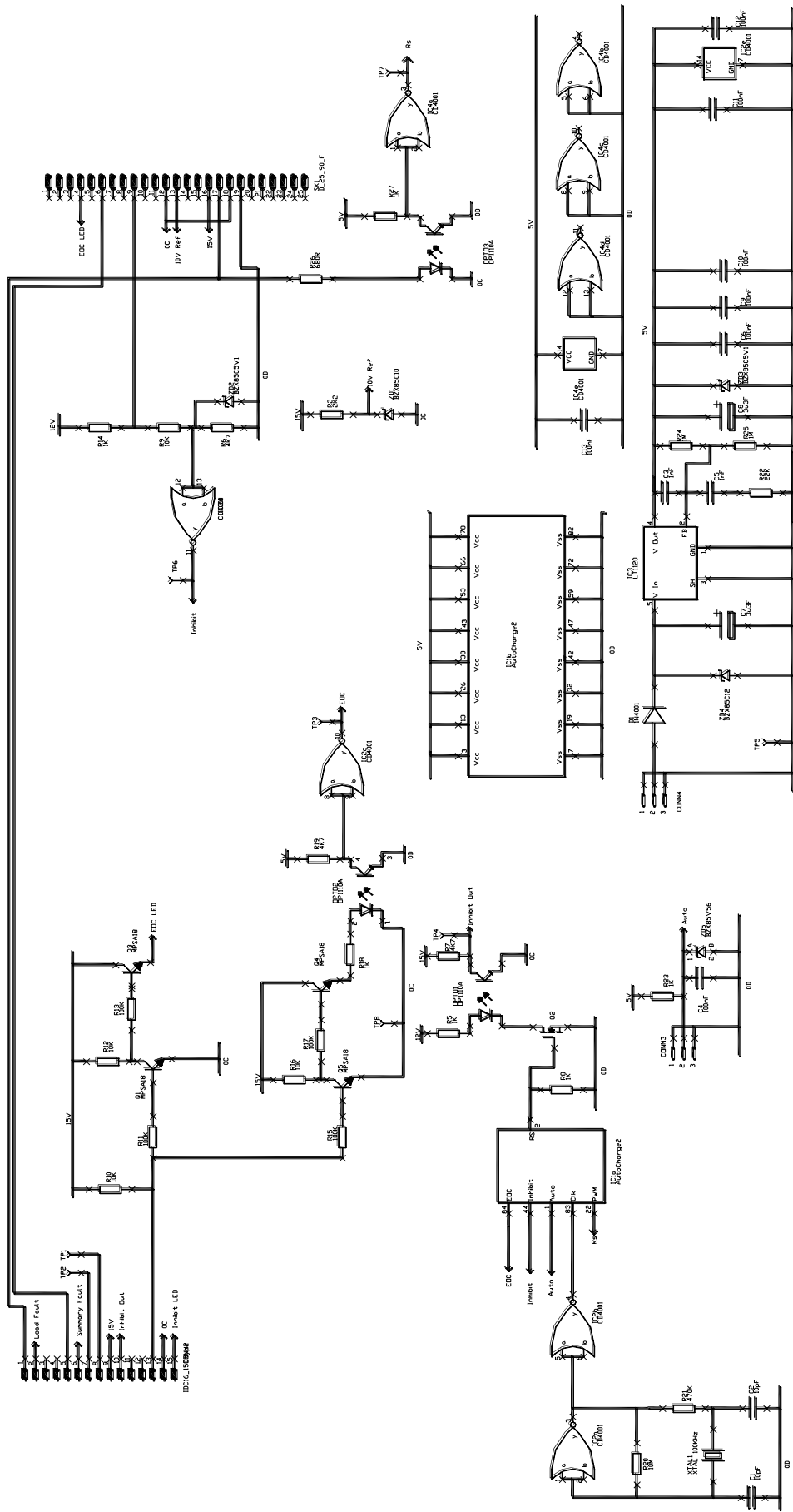
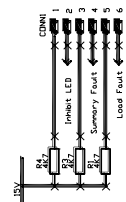
MANUAL
KEY

REMOTE
KEY IN

KEY IN
(CLOSURE)

ISSUE	DESCRIPTION	APPD.	DATE	ALL DIMS IN mm	NOT TO SCALE	APPLIED ACOUSTIC ENGINEERING LTD.		DRAWN	MG	DATE	15/05/02	TITLE	CSP1000 KEY BOARD SCHEMATIC
				MATERIAL				CHECKED	IRK	DATE	15/05/02		
C	NEW DRAWING No.		15/05/02	FILE NAME	KEY BOARD.SCH			APPROVED	JME	DATE	15/05/02	DRAWING No.	CSP-1000-5003/C

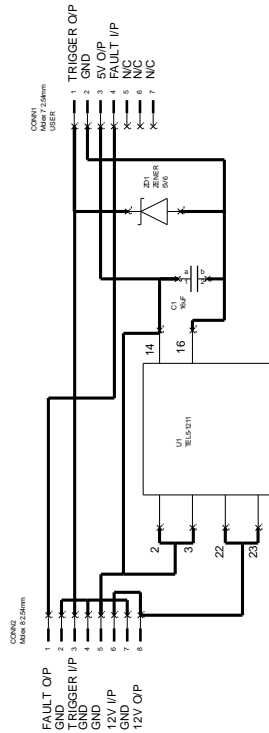
APPLIED ACOUSTIC ENGINEERING LTD.
 THIS DRAWING IS LOANED WITHOUT OTHER CONSIDERATION THAN THE AGREEMENT
 AND CONDITION THAT IS NOT TO BE REPRODUCED, COPIED OR OTHERWISE
 DISPOSED OF DIRECTLY OR INDIRECTLY, AND IS NOT TO BE USED IN WHOLE OR
 IN PART TO ASSIST IN OR TO FURNISH ANY INFORMATION FOR THE MAKING
 OF DRAWINGS, PRINTS, APPARATUS OR PARTS THEREOF.



ISSUE	DESCRIPTION	APPD	DATE	ALL DIMS IN mm	NOT TO SCALE	APPLIED ACOUSTIC ENGINEERING LTD.		DRAWN	DATE	TITLE
B	Added Soft Start Control	MK	14/3/00	MATERIAL				MK	14/3/00	Automatic Charge Control
C	PLD changed from 44pin to 84	MK	27/3/00	FILE NAME AutoCharge C-PCB				APPROVED MK	14/3/00	DRAWING No. CSP-1000-5005/C

© APPLIED ACOUSTIC ENGINEERING LTD.
 THESE DRAWINGS ARE UNLESS OTHERWISE SPECIFIED IN THE AGREEMENT
 AND CONDITION THAT IS NOT TO BE REPRODUCED, COPIED OR OTHERWISE
 DEPICTED DIRECTLY OR INDIRECTLY, AND IS NOT TO BE USED IN WHOLE OR
 IN PART FOR THE MAKING OF DRAWINGS, PRINTS, APPARATUS OR PARTS THEREOF.

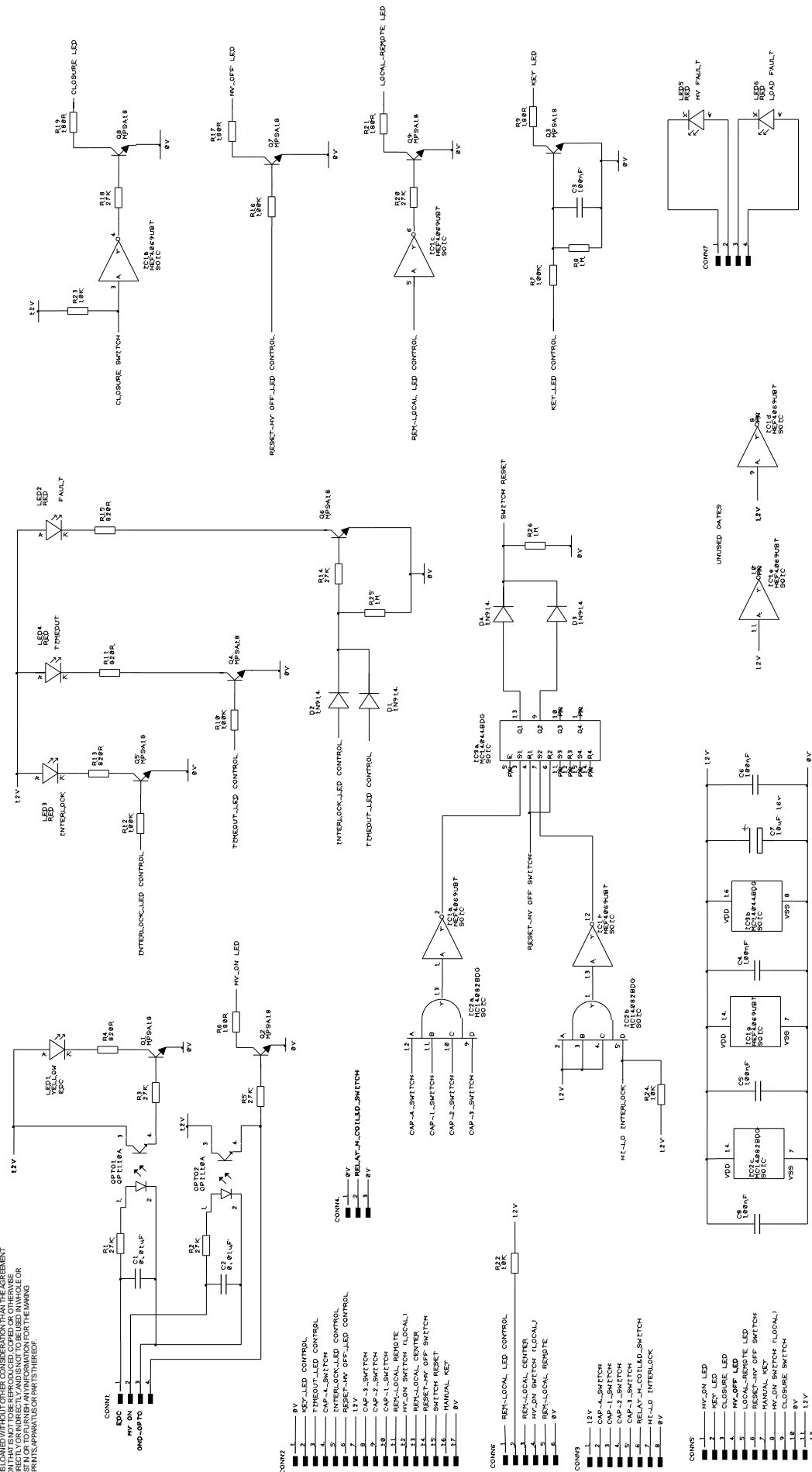
MODULE INTERFACE
 CSP-1000-50117 PCB



ISSUE	DESCRIPTION	APPD.	DATE	ALL DIMS IN (mm)	NOT TO SCALE	APPLIED ACOUSTIC ENGINEERING LTD.		DRAWN	DATE	TITLE
A	FIRST ISSUE	NM	08/05	MATERIAL		CSP2200_THY_TRIG_A		CHECKED	10/10/05	CSP2200 MODULE INTERFACE CIRCUIT
				FILENAME				APPROVED		DRAWING No.

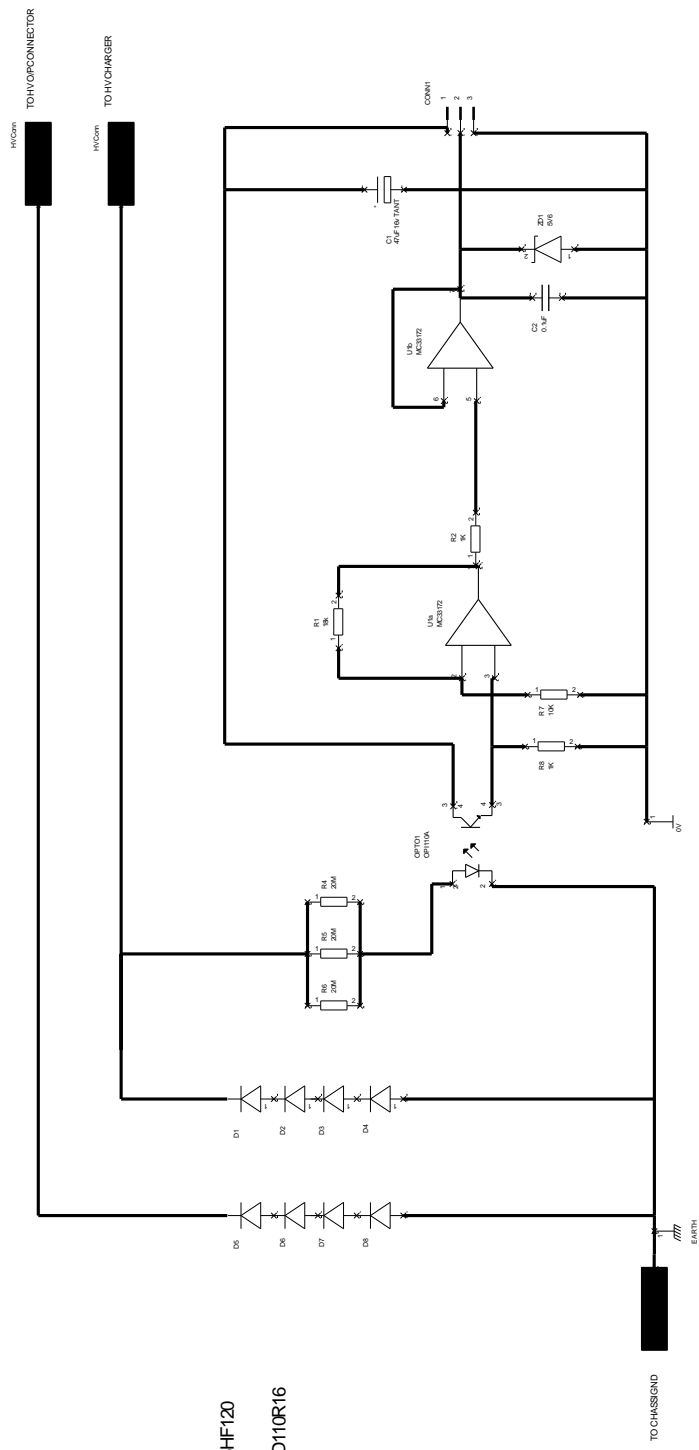
© APPLIED ACOUSTIC ENGINEERING, LTD.

THIS DRAWING IS THE PROPERTY OF APPLIED ACOUSTIC ENGINEERING, LTD. AND IS NOT TO BE REPRODUCED, COPIED, OR OTHERWISE DISPOSED OF DIRECTLY OR INDIRECTLY, AND IS NOT TO BE REPRODUCED IN WHOLE OR IN PART WITHOUT THE WRITTEN PERMISSION OF APPLIED ACOUSTIC ENGINEERING, LTD.



ISSUE	DESCRIPTION	APPD.	DATE	ALL DIMS IN mm	NOT TO SCALE	APPLIED ACOUSTIC ENGINEERING LTD.		DRAWN	DATE	TITLE
2	DCR385	AD	10/07	MATERIAL				SJM	03/10/07	CSP D FRONT PANEL BOARD
1	PRODUCTION	AD	02/07	FILE NAME	CSP-CSPD-5100-2.sch			AD	10/10/07	DRAWING No. CSP-CSPD-5100/2

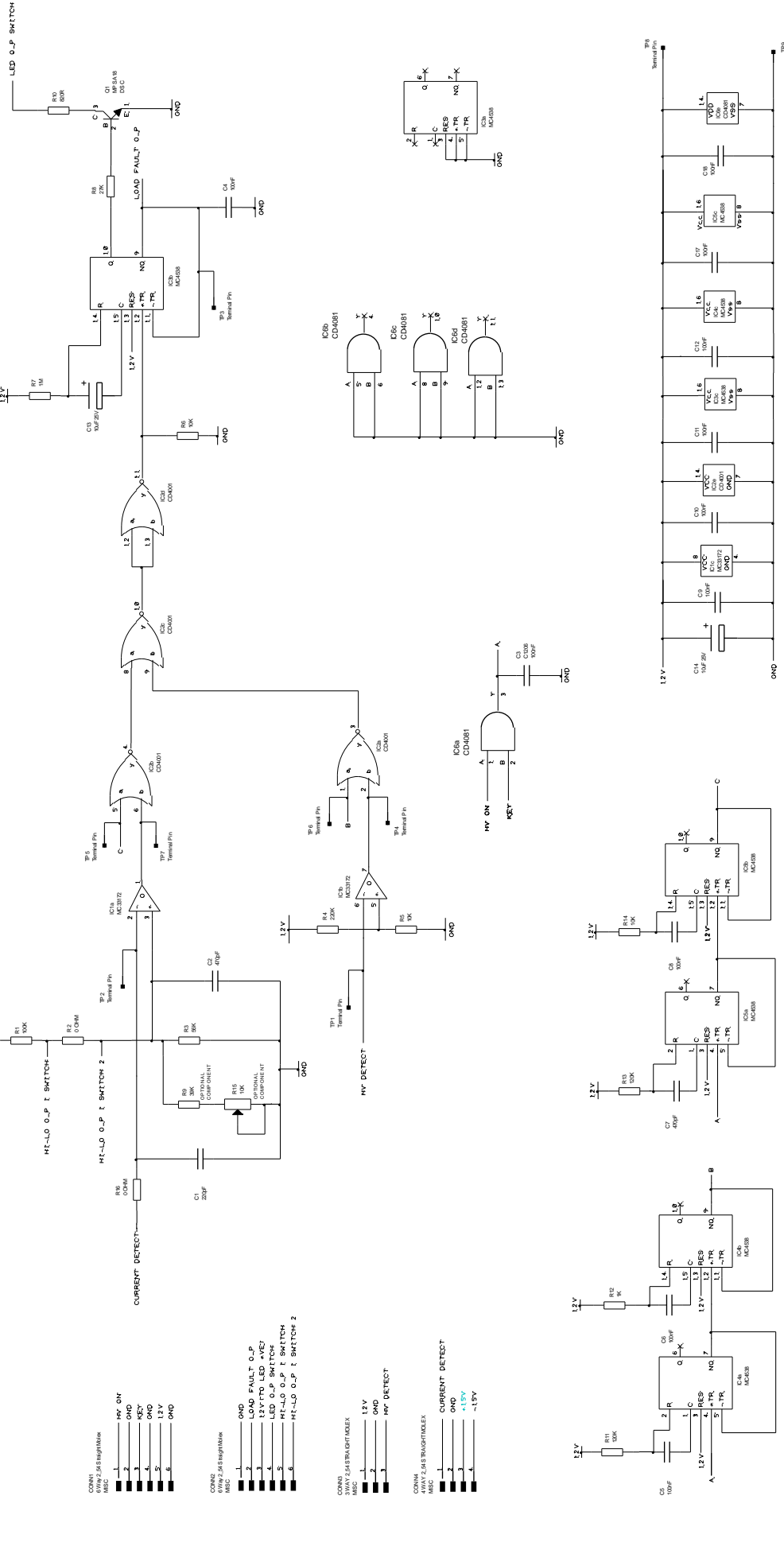
© APPLIED ACOUSTIC ENGINEERING LTD.
 THIS DRAWING IS LOANED WITHOUT OTHER CONSIDERATION THAN THE AGREEMENT
 MADE BETWEEN THE PARTIES AND IS NOT TO BE REPRODUCED, COPIED, EITHER
 IN PART OR IN WHOLE, OR TO BE USED IN ANY MANNER WITHOUT THE WRITTEN
 PERMISSION OF APPLIED ACOUSTIC ENGINEERING LTD. ANY UNAUTHORIZED
 REPRODUCTION OR USE OF THIS DRAWING IS PROHIBITED.



D1 TO D4 = 88HF120
 D5 TO D8 = GD110R16

ISSUE	DESCRIPTION	APPD.	DATE	ALL DIMS IN mm	NOT TO SCALE	APPLIED ACOUSTIC ENGINEERING LTD.		DRAWN	DATE	TITLE
1	FIRST ISSUE	NM	11/06	MATERIAL				NM	23/11/06	CSP - D HV DIODE BOARD
				FILE NAME	CSP-CSPD-5001-1_HV Detect Board			CHECKED	13/02/07	
								APPROVED	13/02/07	
										DRAWING No. CSP-CSPD-5101/1

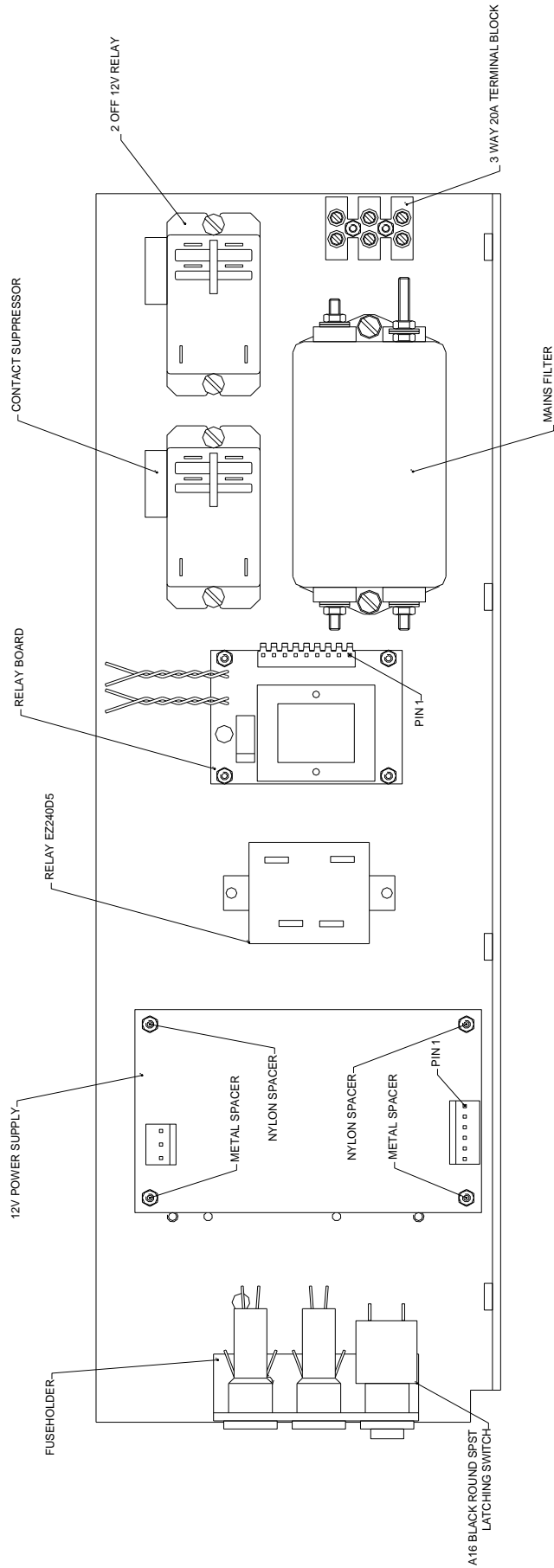
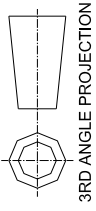
© APPLIED ACOUSTIC ENGINEERING LTD.
 THIS DRAWING IS LOANED WITHOUT OTHER CONSIDERATION THAN THE AGREEMENT
 AND CONDITION THAT IS NOT TO BE REPRODUCED, COPIED OR OTHERWISE
 TRANSMITTED IN ANY FORM OR BY ANY MEANS, WITHOUT THE WRITTEN
 PERMISSION OF APPLIED ACOUSTIC ENGINEERING LTD. FOR THE PURPOSES
 IN PART TO ASSIST IN OBTAINING INFORMATION FOR THE MAKING
 OF DRAWINGS, PRINTS, APPARATUS OR PARTS THEREOF.



- CONN: 6WAY 2.54SHR/3MM/K
- 1 HV ON
 - 2 GND
 - 3 GND
 - 4 GND
 - 5 1.2V
 - 6 GND
- CONN: 6WAY 2.54SHR/3MM/K
- 1 GND
 - 2 LOAD FAULT O.P
 - 3 1.2V TO LED +VET
 - 4 LED O.P SWITCH
 - 5 HL-LO O.P SWITCH
 - 6 HL-LO O.P SWITCH 2
- CONN: 3WAY 2.54SHR/3MM/K
- 1 1.2V
 - 2 GND
 - 3 HV DETECT
- CONN: 4WAY 2.54SHR/3MM/K
- 1 GND
 - 2 CURRENT_DETECT
 - 3 -1.5V
 - 4 -1.5V

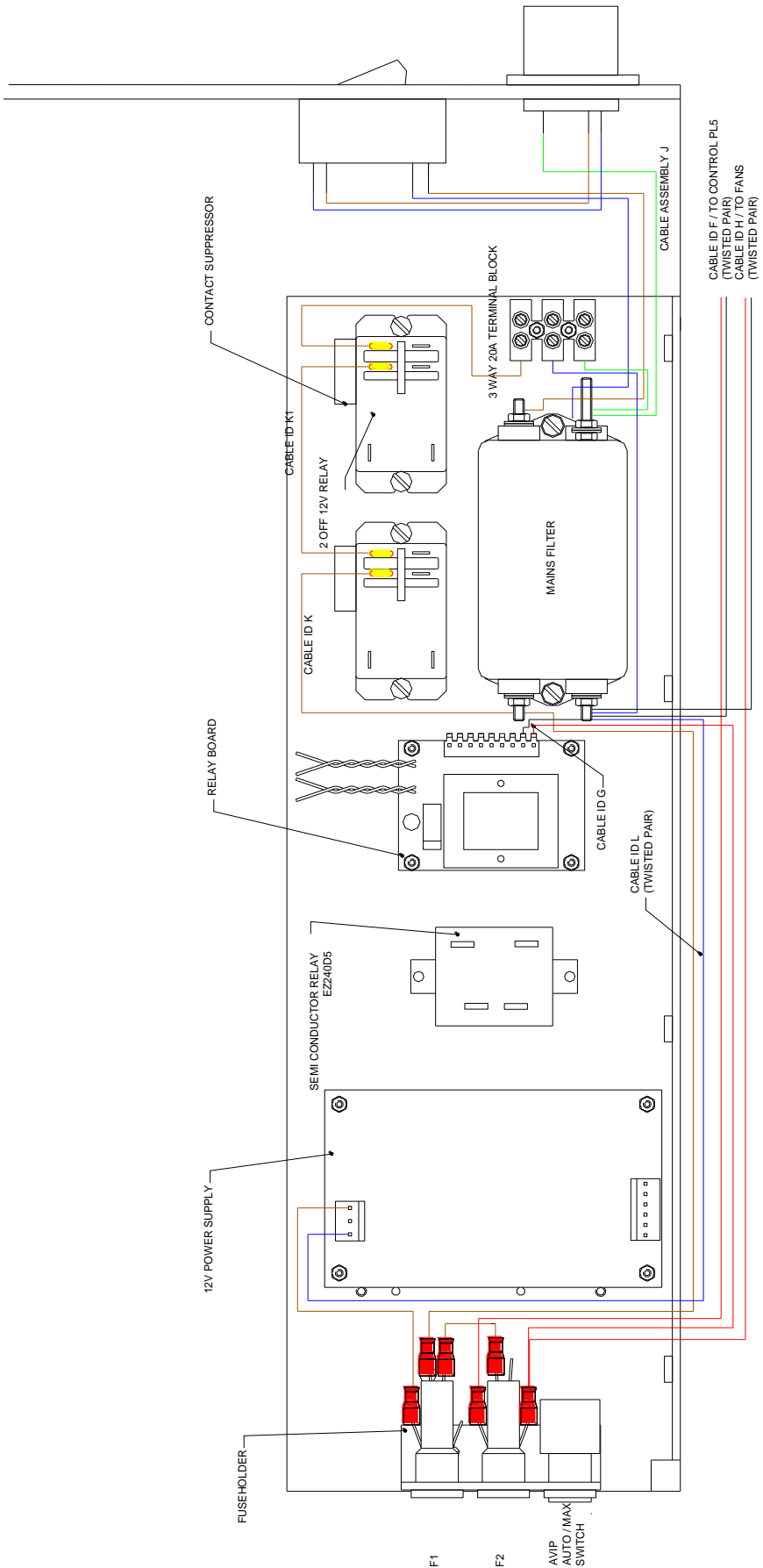
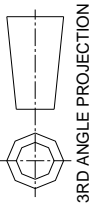
ISSUE	DESCRIPTION	APPD.	DATE	ALL DIMS IN (mm)	NOT TO SCALE	APPLIED ACOUSTIC ENGINEERING LTD.		TITLE	
3	DCR462	NMM	03/08	MATERIAL		CSPD		HV MONITOR BOARD	
2	DCR427	AD	12/07	FILENAME	CSP-CSPD-5102-3.sch	DRAWN		SIM	
1	PRODUCTION	AD	10/06			CHECKED		LFT	
						APPROVED		NMM	
						DATE		13/03/08	
						DRAWING No.		CSP-CSPD-5102/3	

DO NOT SCALE



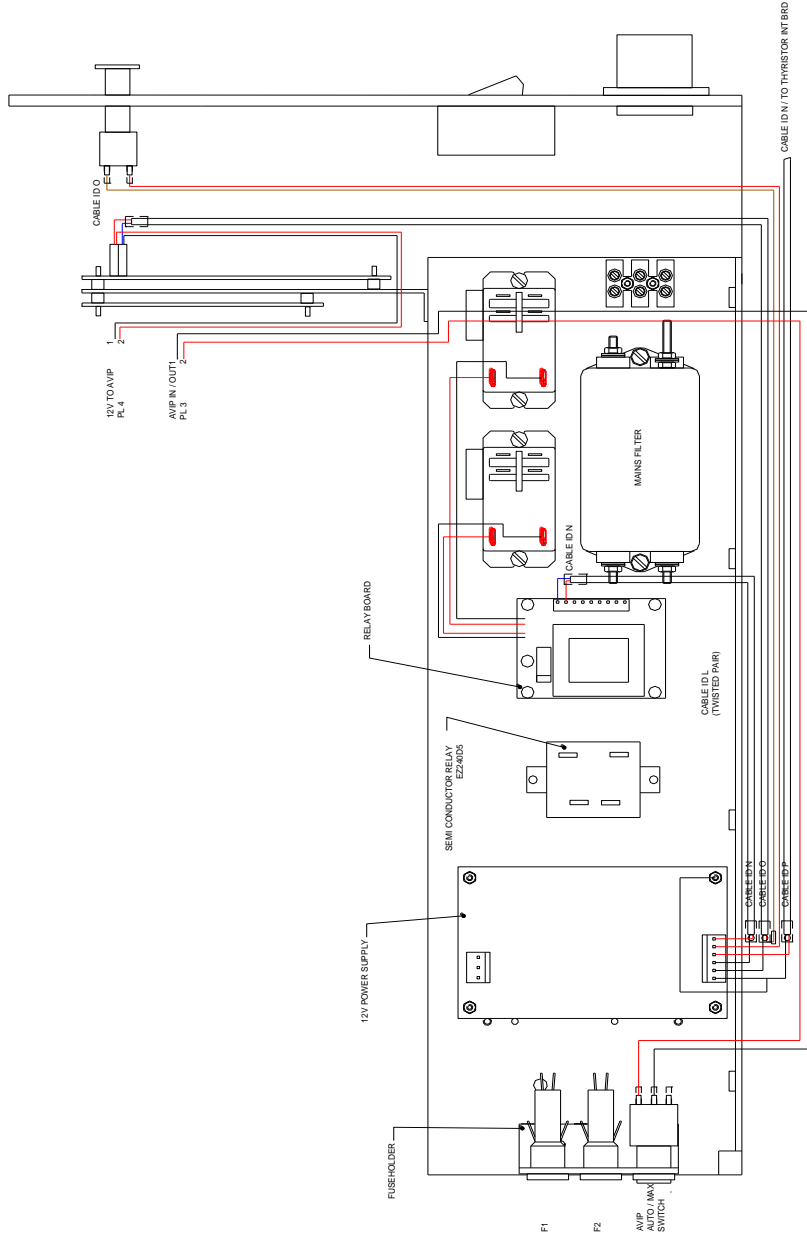
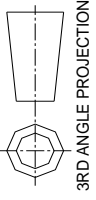
WARNING		ISSUE		DESCRIPTION		APPD		DATE		NOTES		DRAWN		DATE	
<p>THE CONTENTS, INFORMATION AND COPYRIGHT OF THIS DOCUMENT ARE THE SOLE PROPERTY OF APPLIED ACOUSTIC ENGINEERING AND MUST NOT BE USED, PUBLISHED, APPLIED OR COPIED, WITHOUT THE EXPRESS KNOWLEDGE AND WRITTEN PERMISSION OF THE OWNERS.</p>		1		FIRST ISSUE CSPD		AD		01/07		MATERIALS: SEE DRAWING		NM		19/01/07	
										GEN TOLERANCES: N/A		EB		19/01/07	
										FINISH: N/A		APPROVED		DATE	
										OTHER: SCALE 2:3		REMOVE ALL SHARP EDGES AND BURRS			
												ALL DIMENSIONS IN MILLIMETRES		DO NOT SCALE	
														TITLE: CSP-D CAPACITOR SUPPORT PLATE ASSEMBLY COMPONENT FIXING	
														DRAWING No: CSP-CSPD-1000/1	
														FILE SAVED AS: 2200 SUPP PLT.DWG	

DO NOT SCALE



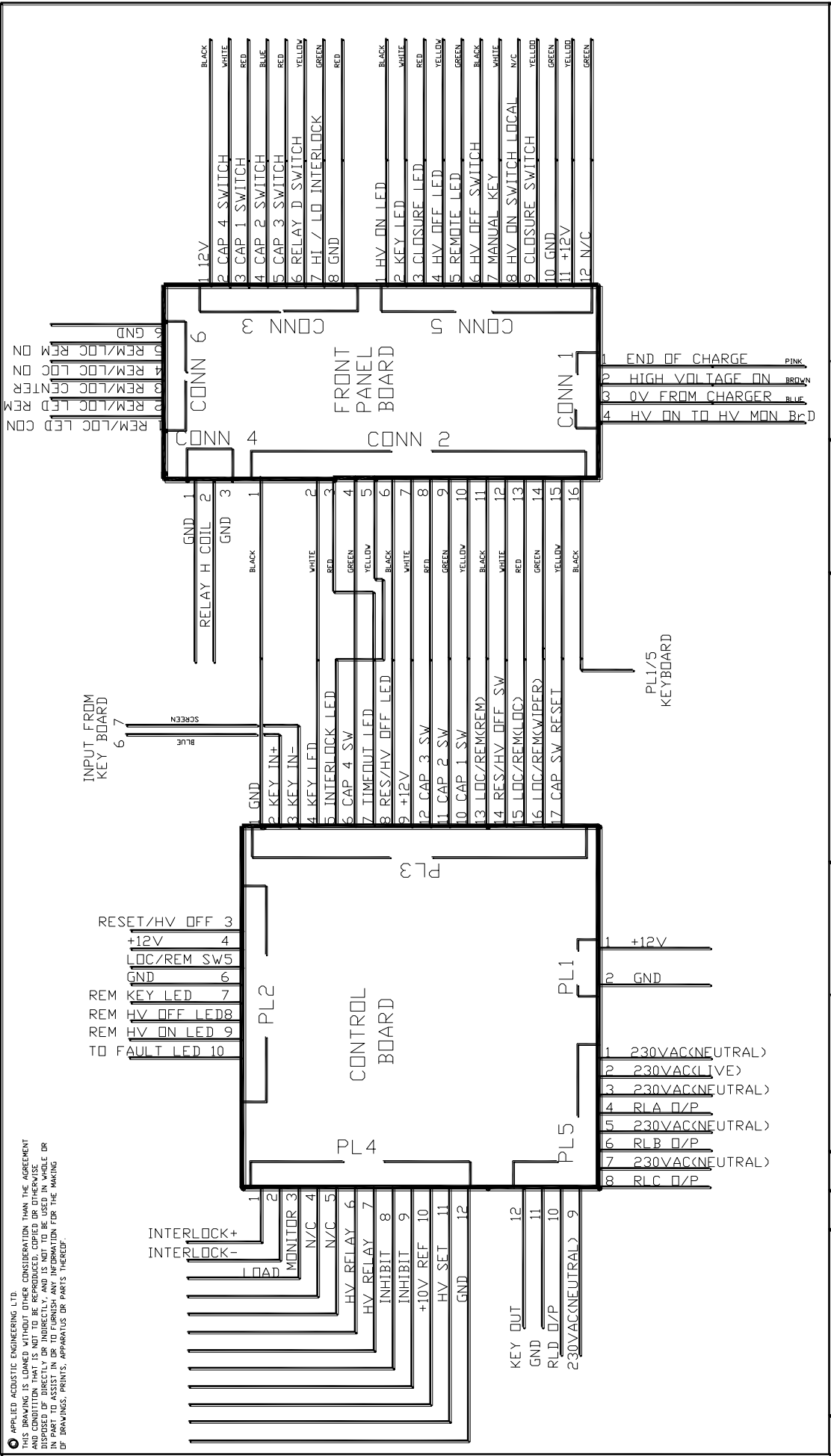
<p>WARNING THE CONTENTS, INFORMATION AND COPYRIGHT OF THIS DOCUMENT ARE THE SOLE PROPERTY OF APPLIED ACOUSTIC ENGINEERING AND MUST NOT BE USED, PUBLISHED, APPLIED OR COPIED, WITHOUT THE EXPRESS KNOWLEDGE AND WRITTEN PERMISSION OF THE OWNERS.</p>	ISSUE	DESCRIPTION	APPD	DATE	NOTES	DRAWN	NM	DATE
					MATERIALS: SEE DRAWING	CHECKED	EB	DATE
					GEN TOLERANCES: N/A	APPROVED		DATE
					FINISH: N/A	REMOVE ALL SHARP EDGES AND BURRS		
				OTHER:	ALL DIMENSIONS IN MILLIMETRES			
1	CSP-D PRODUCTION	AD	12/06		DO NOT SCALE			
						DRAWING No: CSP-CSPD-1003/1		
						FILE SAVED AS: CSP-CSPD MAINS		

DO NOT SCALE



ISSUE	DESCRIPTION	APPD.	DATE	NOTES	DRAWN	NM	DATE	
1	<p>WARNING</p> <p>THE CONTENTS, INFORMATION AND COPYRIGHT OF THIS DOCUMENT ARE THE SOLE PROPERTY OF APPLIED ACOUSTIC ENGINEERING AND MUST NOT BE USED, PUBLISHED, APPLIED OR COPIED, WITHOUT THE EXPRESS KNOWLEDGE AND WRITTEN PERMISSION OF THE OWNERS.</p> <p>CSP-D PRODUCTION</p>		12/06	<p>MATERIALS: SEE DRAWING</p> <p>GEN TOLERANCES: N/A</p> <p>FINISH: N/A</p> <p>OTHER:</p>			14/12/06	
					CHECKED		DATE	TITLE: CSP-D 12V WIRING ASSEMBLY DRAWING
					APPROVED		DATE	
					REMOVE ALL SHARP EDGES AND BURRS			
					ALL DIMENSIONS IN MILLIMETRES			DRAWING No: CSP-CSPD-1002/1
					DO NOT SCALE			FILE SAVED AS: CSP-CSPD MAINS

APPLIED ACUSTIC ENGINEERING LTD.
 THIS DRAWING IS LOANED WITHOUT OTHER CONSIDERATION THAN THE AGREEMENT
 AND CONDITION THAT IS NOT TO BE REPRODUCED, COPIED OR OTHERWISE
 DISPOSED OF DIRECTLY OR INDIRECTLY, AND IS NOT TO BE USED IN WHOLE OR
 IN PART FOR THE MANUFACTURE OF ANY EQUIPMENT OR FOR THE MAKING
 OF DRAWINGS, PRINTS, APPARATUS OR PARTS THEREOF.



ISSUE	DESCRIPTION	APPD	DATE	ALL DIMS IN mm	NOT TO SCALE	APPLIED ACUSTIC ENGINEERING LTD.	DRAWN MG	DATE 15/05/02	TITLE CSP-D CONTROL ASSEMBLY WIRING DIAGRAM
				MATERIAL			CHECKED TRK	DATE 15/05/02	
A	CSPD ISSUE		31/05/07	FILE NAME CSPD CONTROL WIRING.SCH			APPROVED JME	DATE 15/05/02	DRAWING No. CSP-4021/A

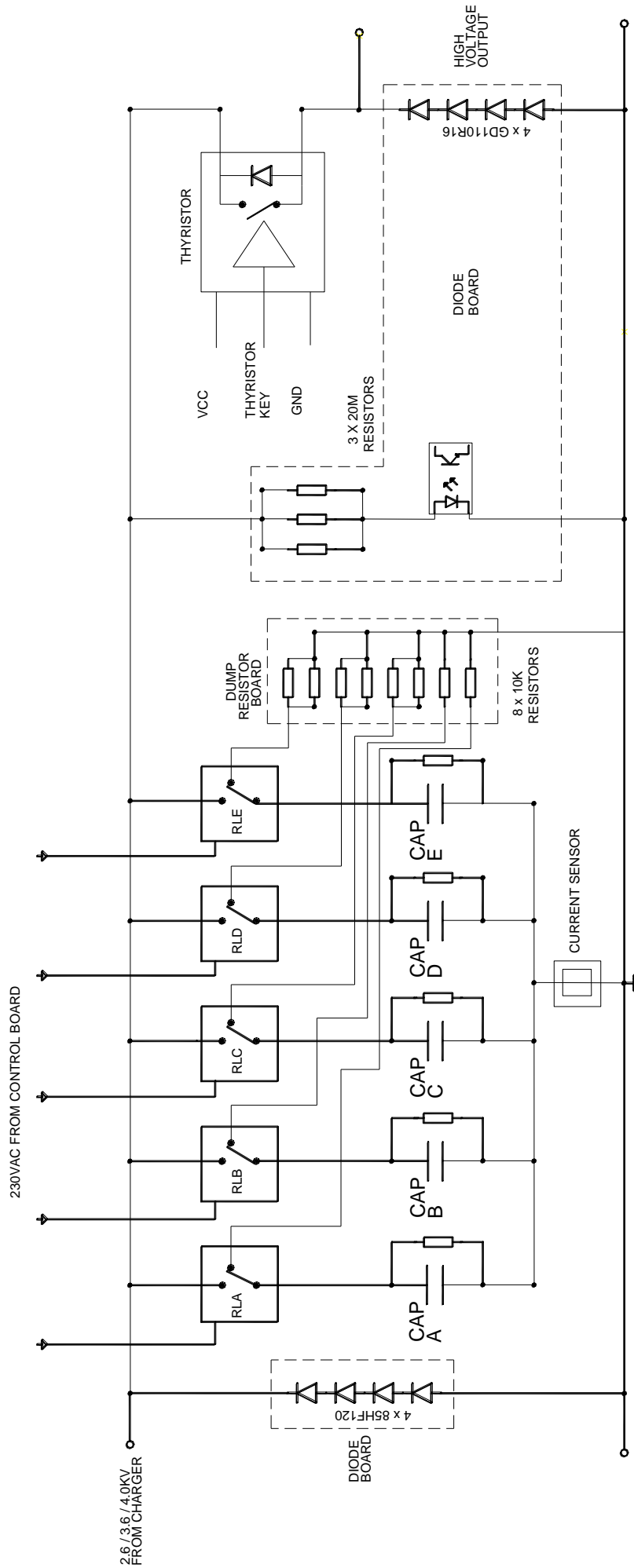
ALL DIMENSIONS IN MILLIMETRES

DO NOT SCALE

REMOVE ALL SHARP EDGES AND BURRS

REPORT ANY ERRORS

IF IN DOUBT ASK



RESISTORS ACROSS CAPACITORS 10MEG-OHM

REV	REVISIONS DESCRIPTION	DRAWN	APPROVED	DATE	NOTES
2	DCR 503	NMM	JME	06/08	MATERIAL: N/A GEN TOLERANCES: N/A FINISH: N/A MISC: REFER TO DRAWING
1	CSP-D NEW ISSUE	NMM	APD	12/06	SCALE: N/A

DRAWN	NMM	DATE	11/06/08
CHECKED	EB	DATE	11/06/08
APPROVED	JME	DATE	11/06/08

WARNING
THE CONTENTS INFORMATION OF THIS DOCUMENT IS THE SOLE PROPERTY OF APPLIED ACOUSTICS ENGINEERING AND MUST NOT BE USED, PUBLISHED, APPLIED OR COPIED, WITHOUT THE EXPRESS KNOWLEDGE AND WRITTEN PERMISSION OF THE OWNERS.

APPLIED ACOUSTICS
Underwater Technology

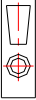
TITLE: CSPD BANGBOX
HV WIRING

DRAWING No: CSP-CSPD-4010/2

DO NOT SCALE

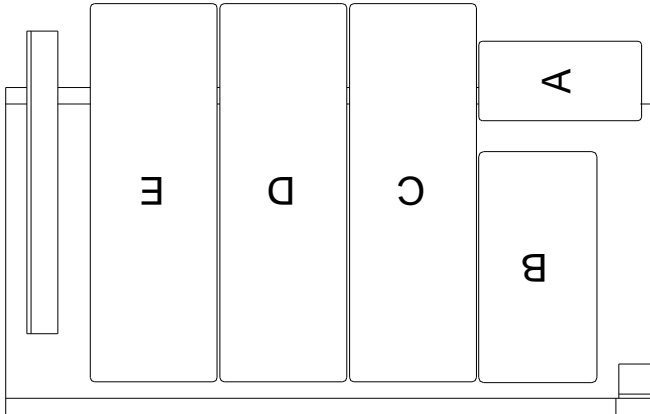
REPORT ANY ERRORS

IF IN DOUBT ASK

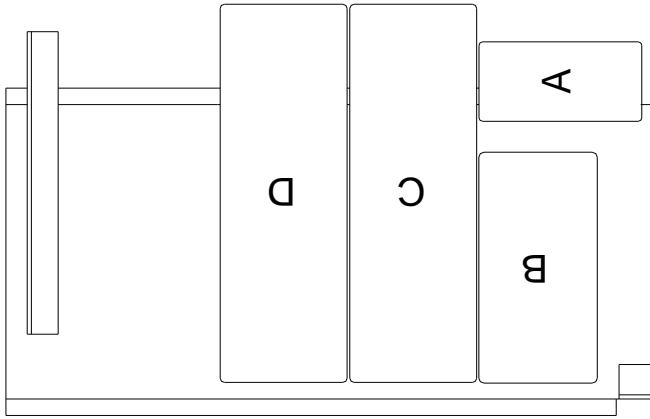


PROJECTION THIRD ANGLE

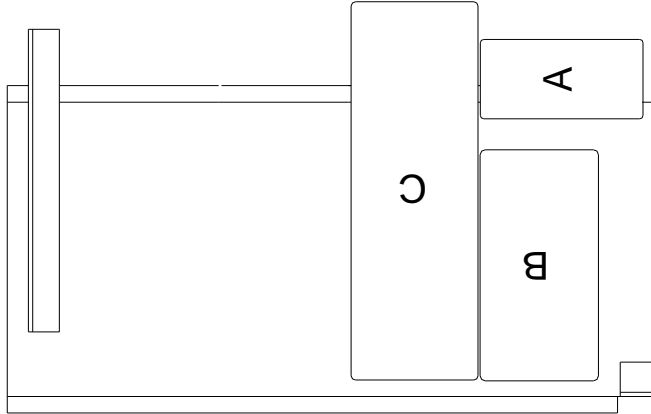
CSP-D 2400 CAP LAYOUT



CSP-D 1200 CAP LAYOUT



CSP-D 700 CAP LAYOUT



CAP A 16uF
CAP B 32uF
CAP C 64uF
CAP D & E 96uF

<p>WARNING</p> <p>THE CONTENTS, INFORMATION AND COPYRIGHT OF THIS DOCUMENT ARE THE SOLE PROPERTY OF APPLIED ACOUSTIC ENGINEERING AND MUST NOT BE USED, PUBLISHED, APPLIED OR COPIED, WITHOUT THE EXPRESS KNOWLEDGE AND WRITTEN PERMISSION OF THE OWNERS.</p>		ISSUE	DESCRIPTION	APPD	DATE	NOTES	DRAWN	NM	DATE	11/12/06	DRAWN	NM	DATE	11/12/06	TITLE: CSP-CSP-D CAPACITOR LAYOUT
						MATERIAL:	CHECKED	EB	DATE	11/12/06	APPROVED	DATE			
						GEN TOLERANCES:	REMOVE ALL SHARP EDGES AND BURRS								DRAWING No: CSP- CSPD-1001/1
						FINISH:	ALL DIMENSIONS IN MILLIMETRES								FILE SAVED AS: CSP-CSPD-CAP LAYOUT
						MISC: N/A									
						SCALE: N/A									
		1	CSP-D NEW ISSUE	APD	12/06										

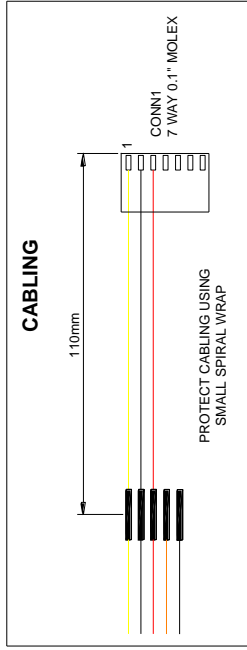
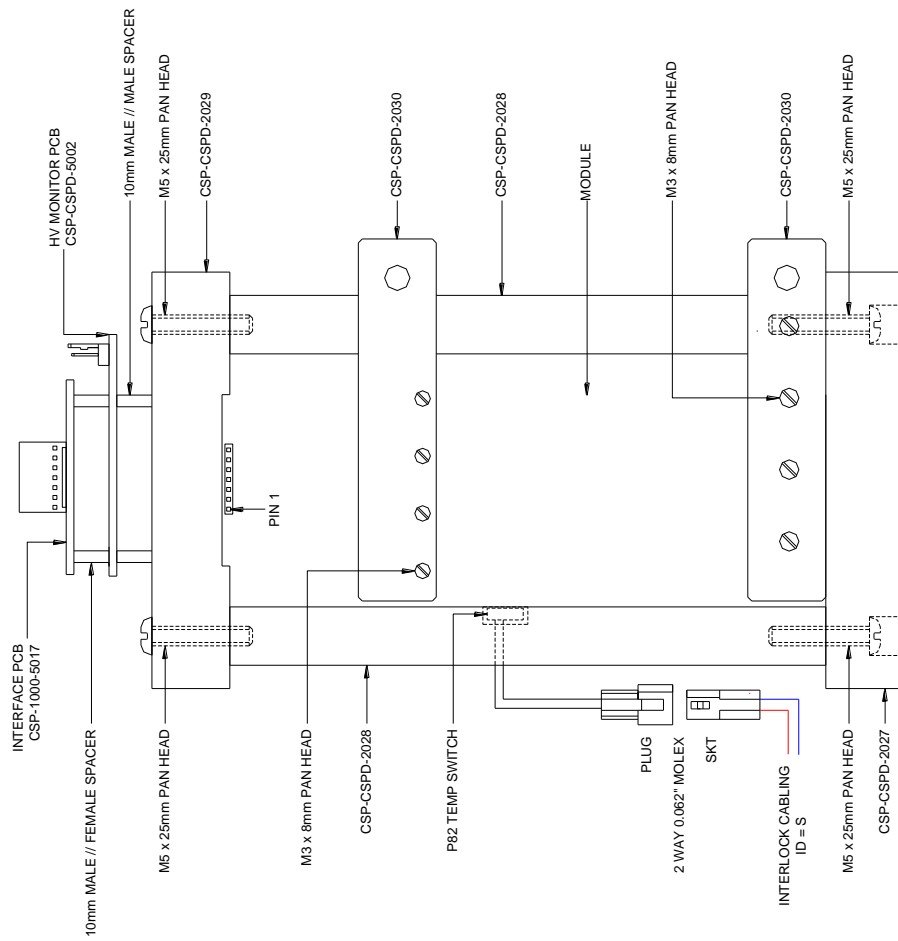
ALL DIMENSIONS IN MILLIMETRES

DO NOT SCALE

REMOVE ALL SHARP EDGES AND BURRS

REPORT ANY ERRORS

IF IN DOUBT ASK

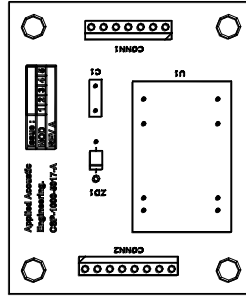


CONN1 PINOUTS

- 1 TRIGGER
- 2 GND
- 3 +5VDC
- 4 FAULT
- 5 N/C
- 6 N/C
- 7 N/C

CONN2 PINOUTS

- 1 FAULT O/P } N/C
- 2 GND } N/C
- 3 TRIGGER I/P } CABLE 'W'
- 4 GND } CABLE 'Q'
- 5 GND } CABLE 'P'
- 6 12VDC O/P } CABLE 'P'
- 7 GND } CABLE 'P'
- 8 12VDC } CABLE 'P'

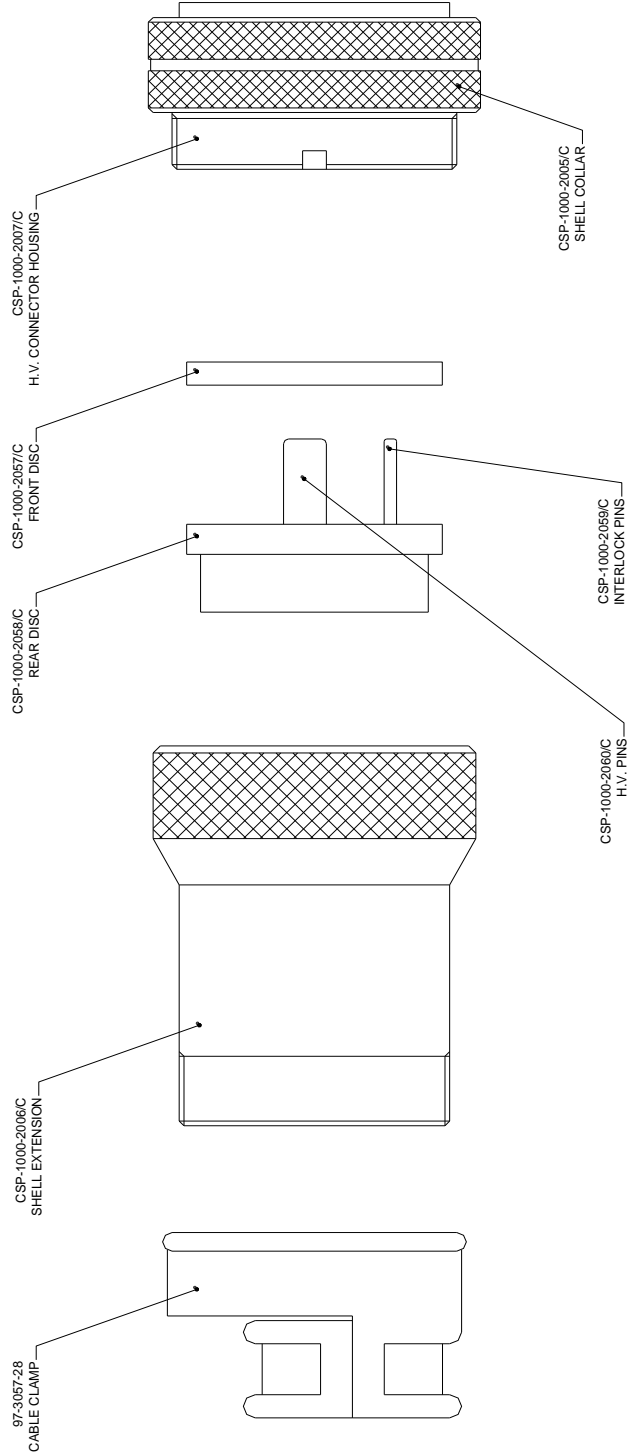
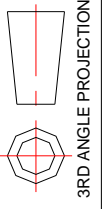


REV	REVISIONS DESCRIPTION	DRAWN	APPROVED	DATE	NOTES
2	DCR 491	TDA	NMM	05/08	MATERIAL: REFER TO DRAWING GEN TOLERANCES: N/A FINISH: N/A MISC: REFER TO DRAWING
1	PRODUCTION	NMM	APD	01/07	SCALE: N/A

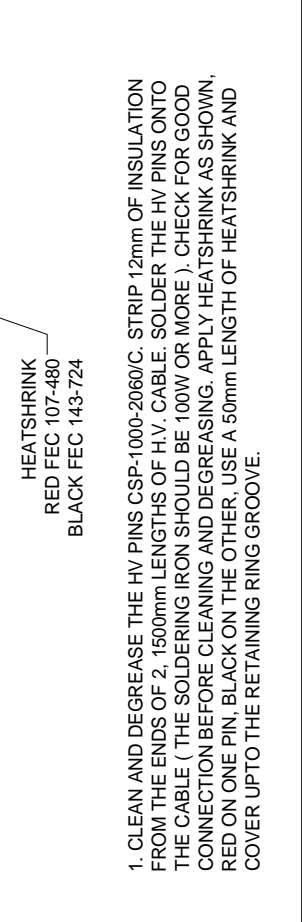
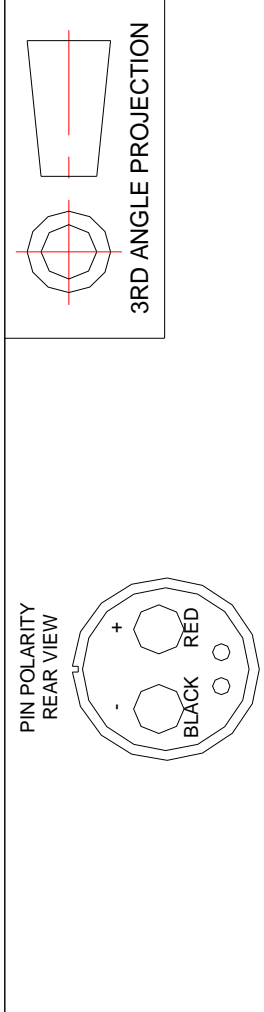
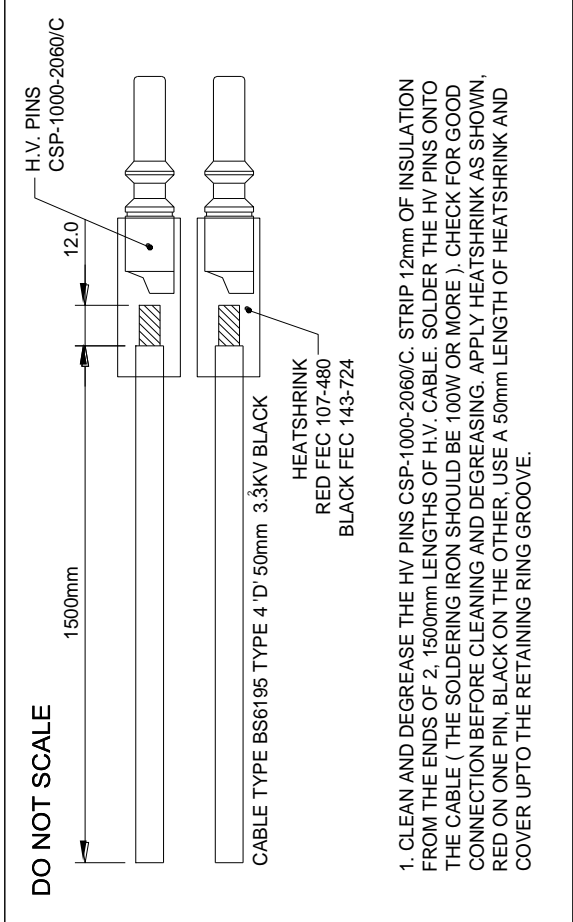
DRAWN	TDA	DATE
CHECKED	LFT	DATE
APPROVED	NMM	DATE

APPLIED ACOUSTICS	
Underwater Technology	
TITLE: CSPD BANGBOX MODULE CLAMP ASSY & INTERFACE DIAGRAM	
DRAWING No: CSP-CSPD-1019/2	

DO NOT SCALE



WARNING THE CONTENTS, INFORMATION AND COPYRIGHT OF THIS DOCUMENT ARE THE SOLE PROPERTY OF APPLIED ACOUSTIC ENGINEERING AND MUST NOT BE USED, PUBLISHED, APPLIED OR COPIED, WITHOUT THE EXPRESS KNOWLEDGE AND WRITTEN PERMISSION OF THE OWNERS.		ISSUE	DESCRIPTION	APPD	DATE	NOTES	DRAWN	NM	DATE	19/01/07	
		1	CSPD ISSUE	AD	1/07						
		CHECKED	EB	DATE	19/01/07	MATERIALS: SEE DRAWING GEN TOLERANCES: N/A FINISH: N/A OTHER: SCALE 1 : 1					
		APPROVED	DATE	REMOVE ALL SHARP EDGES AND BURRS ALL DIMENSIONS IN MILLIMETRES DO NOT SCALE							
		TITLE: CSP-D H.V. PLUG COMPONENT ASSEMBLY			DRAWING No: CSP-CSPD-1011/1						
		FILE SAVED AS: HV PLUG ASSY1									



ISSUE	DESCRIPTION	APPD	DATE	NOTES
1	WARNING THE CONTENTS, INFORMATION AND COPYRIGHT OF THIS DOCUMENT ARE THE SOLE PROPERTY OF APPLIED ACOUSTIC ENGINEERING AND MUST NOT BE USED, PUBLISHED, APPLIED OR COPIED, WITHOUT THE EXPRESS KNOWLEDGE AND WRITTEN PERMISSION OF THE OWNERS.	AD	01/07	MATERIALS: SEE DRAWINGS GEN TOLERANCES: ±0.2mm FINISH: N/A OTHER: SCALE 1 : 2

DRAWN	NM	DATE	19/01/07
CHECKED	EB	DATE	19/01/07
APPROVED		DATE	
REMOVE ALL SHARP EDGES AND BURRS			
ALL DIMENSIONS IN MILLIMETRES			
DO NOT SCALE			

TITLE: CSP-D
HIGH VOLTAGE
PLUG ASSEMBLY

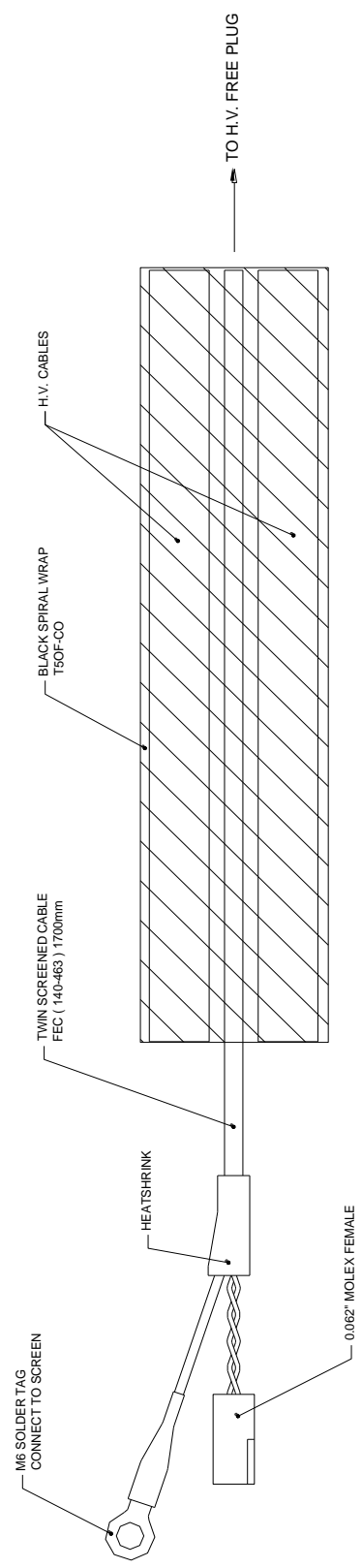
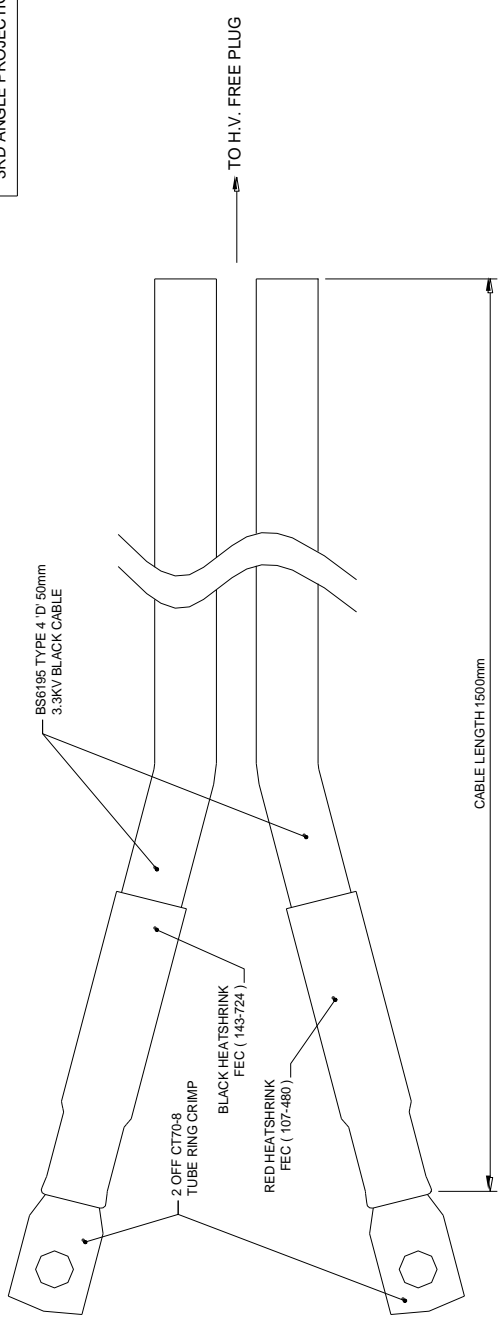
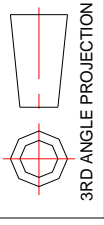
DRAWING No: CSP-CSPD-1012/1

FILE SAVED AS: HV PLUG ASSY2.DWG

DO NOT SCALE

ASSEMBLY NOTES

1. STRIP INSULATION BACK 12mm
2. SOLDER RING CRIMP TO CABLE
3. CLEAN RING CRIMP THOROUGHLY
4. COVER THE CRIMP WITH HEATSHRINK (RED OR BLACK)
5. SPIRAL WRAP AROUND CABLES TO FINISH ASSEMBLY



THIS DRAWING IS TO BE USED AS PART OF THE H.V. PLUG ASSEMBLY - CSP-1000-3007/C THE ASSEMBLY OF THE OTHER END OF THE CABLE (H.V. PLUG) MUST BE COMPLETED BEFORE STARTING ON THIS END OF THE CABLE.

ISSUE	DESCRIPTION	APPD	DATE	NOTES	DRAWN	NM	DATE
1	CSPD ISSUE	AD	01/07	MATERIALS: SEE DRAWING GEN TOLERANCES: ±2mm FINISH: N/A OTHER: SCALE 1:1	CSP-D		22/01/07
					CHECKED	IRK	DATE
					APPROVED		DATE
					REMOVE ALL SHARP EDGES AND BURRS		
					ALL DIMENSIONS IN MILLIMETRES		
					DO NOT SCALE		
					DRAWING No: CSP-CSPD-3002/1		
					FILE SAVED AS: JBOX HV CABLE		
					TITLE: CSP-D JUNCTION BOX H.V. CABLE		

WARNING
THE CONTENTS, INFORMATION AND COPYRIGHT OF THIS DOCUMENT ARE THE SOLE PROPERTY OF APPLIED ACOUSTIC ENGINEERING AND MUST NOT BE USED, PUBLISHED, APPLIED OR COPIED, WITHOUT THE EXPRESS KNOWLEDGE AND WRITTEN PERMISSION OF THE OWNERS.

ALL DIMENSIONS IN MILLIMETRES

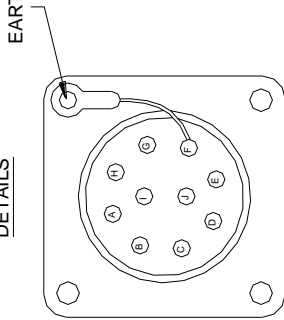
DO NOT SCALE

REMOVE ALL SHARP EDGES AND BURRS

REPORT ANY ERRORS

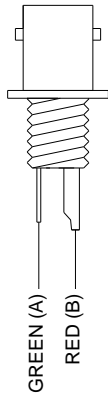
IF IN DOUBT ASK

CONNECTOR WIRING DETAILS

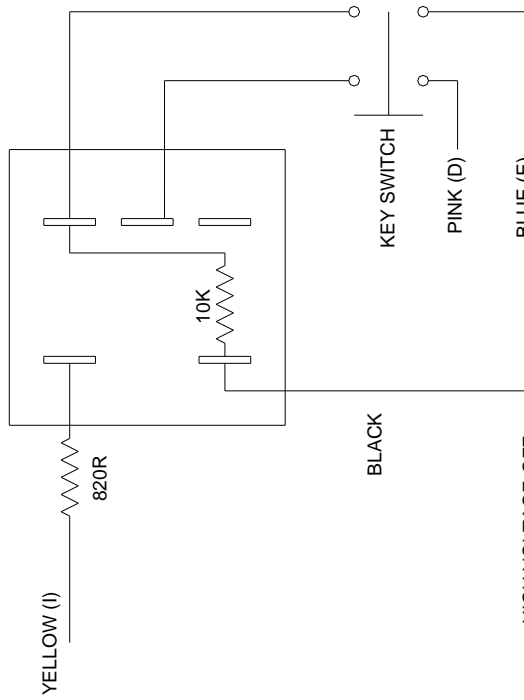


- A - GREEN
- B - RED
- C - BROWN
- D - PINK x 2
- E - BLUE
- F - BLACK x 3
- G - WHITE
- H - BLUE
- I - YELLOW
- J - RED

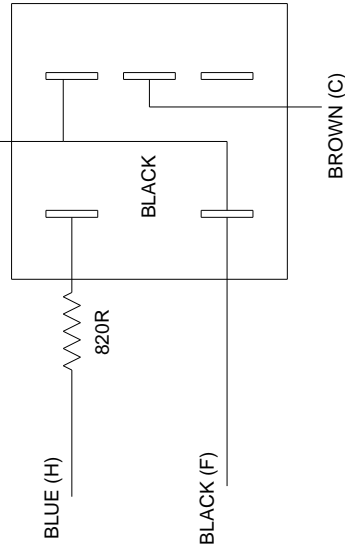
BNC CONNECTOR



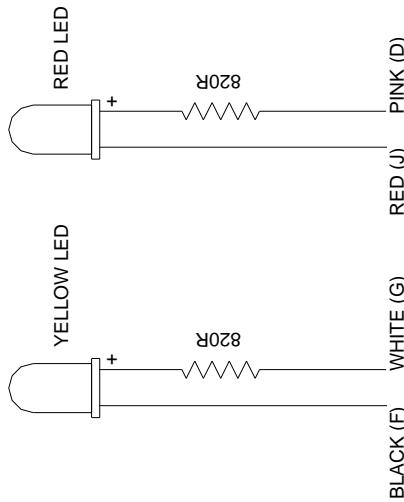
HIGH VOLTAGE ON ENLARGED VIEW



HIGH VOLTAGE OFF ENLARGED VIEW



KEY/FAULT LEADS



REAR VIEW

- 1 x DIE CAST BOX
- 1 x BNC CONNECTOR
- 2 x SPDT SWITCH SOCKET
- 2 x SWITCH BODY
- 1 x SCREEN SQUARE (YELLOW)
- 1 x SCREEN SQUARE (RED)
- 1 x 12V LED (YELLOW)
- 1 x 12V LED (RED)
- 1 x 5mm LED (YELLOW)
- 1 x 5mm LED (RED)
- 2 x RESISTOR 180R 1/4W
- 2 x RESISTOR 820R 1/4W
- 1 x RESISTOR 10K 1/4W
- 1 x 10 PIN MALE CONNECTOR
- 4 x M3 x 16mm PAN HEAD
- 4 x M3 WASHERS
- 4 x M3 SHAKEPROOF WASHERS
- 4 x M3 NYLOC NUTS
- 1 x M3 SOLDER TAG (EARTH)

REV	REVISIONS DESCRIPTION	DRAWN	APPROVED	DATE	NOTES
1	FIRST ISSUE - PRODUCTION	TDA	NMM	05/08	

DRAWN	TDA	DATE	13/05/08
CHECKED	EB	DATE	13/05/08
APPROVED	NMM	DATE	13/05/08

APPLIED ACOUSTICS Underwater Technology	
TITLE: CSPD BANGBOX REMOTE BOX WIRING DETAILS	

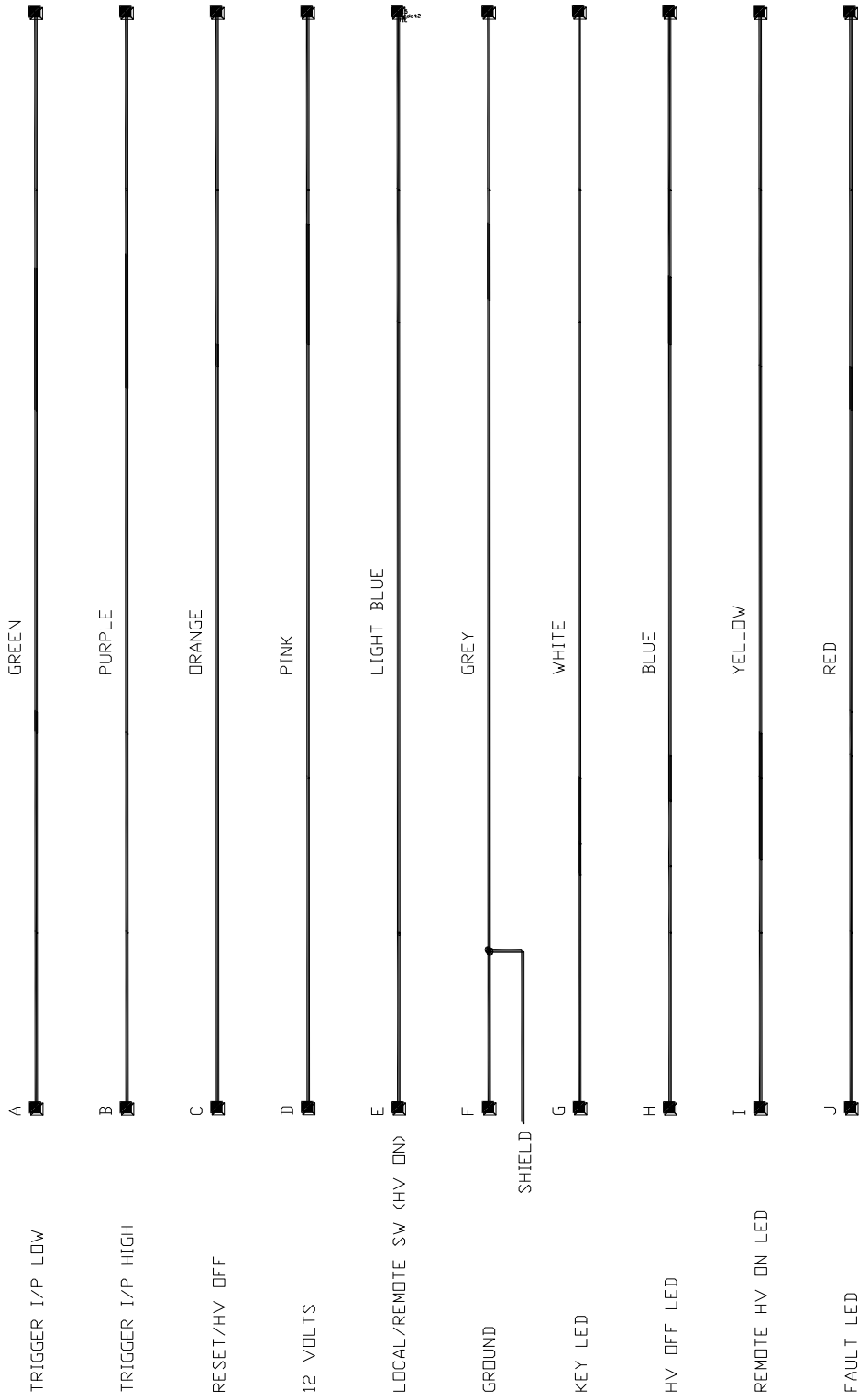
THE CONTENTS, INFORMATION AND RIGHTS OF THIS DOCUMENT ARE THE SOLE PROPERTY OF APPLIED ACOUSTIC ENGINEERING AND MUST NOT BE USED, PUBLISHED, APPLIED OR COPIED, WITHOUT THE EXPRESS KNOWLEDGE AND WRITTEN PERMISSION OF THE OWNERS.	
---	--

DRAWING No: CSP-CSPD-4022/1	
-----------------------------	--

APPLIED ACOUSTIC ENGINEERING LTD.
 THIS DRAWING IS LOANED WITHOUT OTHER CONSIDERATION THAN THE AGREEMENT
 AND CONDITION THAT IS NOT TO BE REPRODUCED, COPIED OR OTHERWISE
 DISPOSED OF DIRECTLY OR INDIRECTLY, AND IS NOT TO BE USED IN WHOLE OR
 IN PART TO ASSIST IN OR TO FURNISH ANY INFORMATION FOR THE MAKING
 OF DRAWINGS, PRINTS, APPARATUS OR PARTS THEREOF.

CSP FRONT PANEL

REMOTE BOX



ISSUE	DESCRIPTION	APPD.	DATE	ALL DIMS IN mm	NOT TO SCALE	APPLIED ACOUSTIC ENGINEERING LTD.	DRAWN	DATE	TITLE
				MATERIAL			MG	15/05/02	
				FILE NAME	REMOTE CABLE.SCH		CHECKED	DATE	
							IRK	15/05/02	
C	NEW DRAWING No. SWAP SHIELD END		15/05/02				APPROVED	DATE	DRAWING No.
							JME	15/05/02	CSP-1000-4007/C



APPLIED ACOUSTICS

Underwater Technology

UK Head Office

Applied Acoustic Engineering Ltd
Marine House
Marine Park
Gapton Hall Road
Great Yarmouth
NR31 0NB
United Kingdom

Tel: +44 (0)1493 440355
Fax: +44 (0)1493 440720

Email

General Enquiries: general@appliedacoustics.com
Sales: sales@appliedacoustics.com
Technical Support: techsupport@appliedacoustics.com